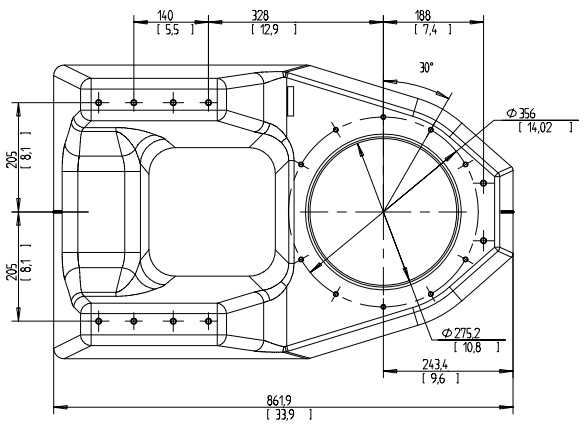
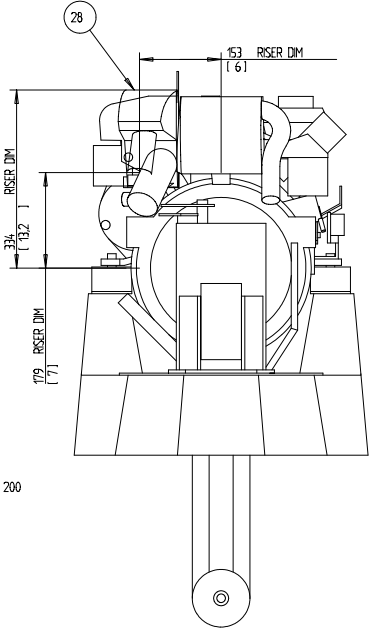
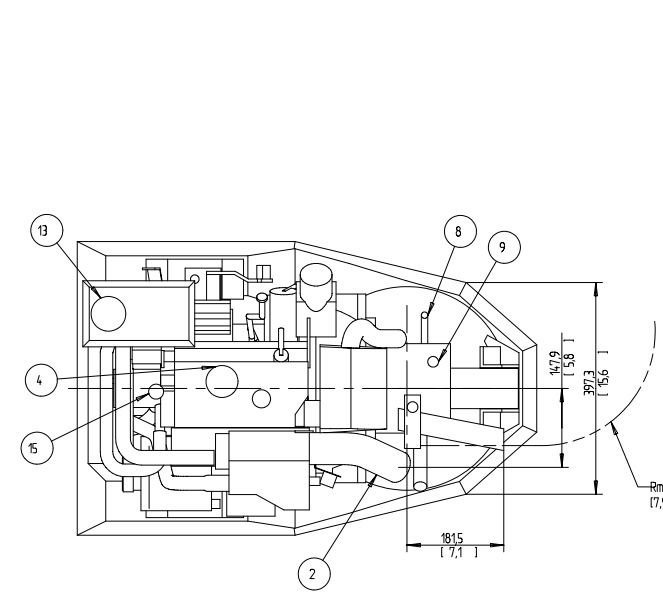
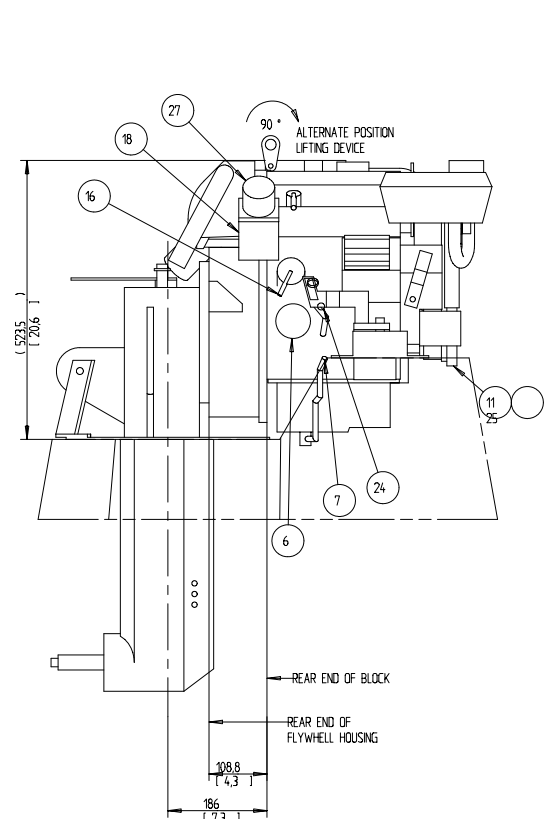
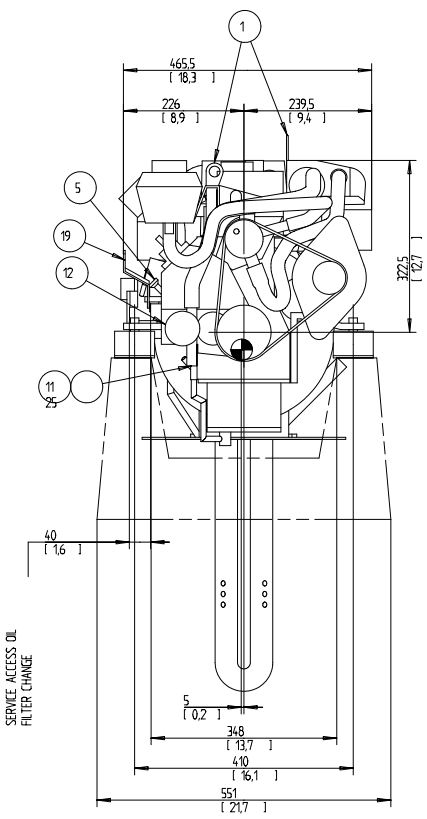
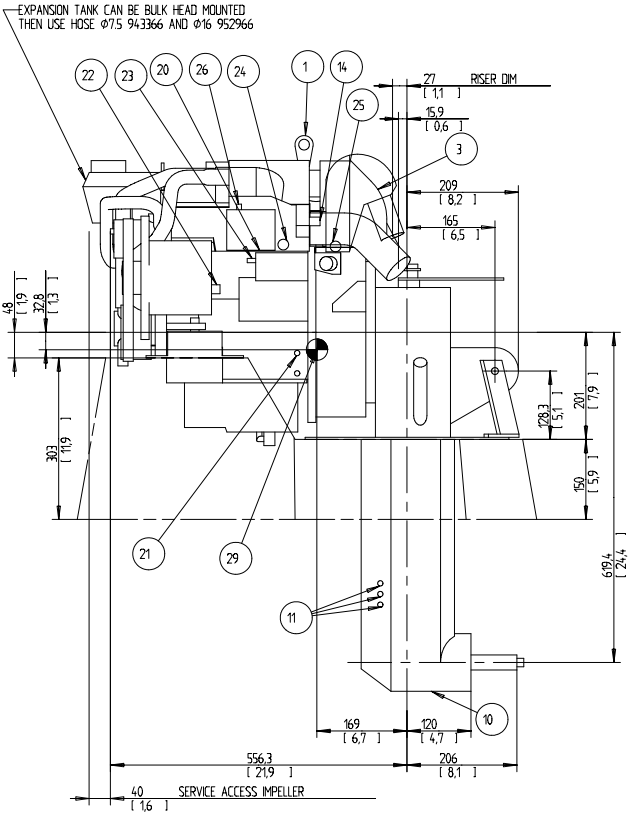


EXPANSION TANK CAN BE BULK HEAD MOUNTED THEN USE HOSE Ø75 943366 AND Ø16 952966



SCALE 1:5
 OIL CAPACITY INCLUDING OIL FILTER: 2.8 LITERS
 FRESHWATER SYSTEM CAPACITY: 3.0 LITERS
 WEIGHTS:
 DRY 144 kg
 OIL & WATER 151 kg
 DIMENSION IN MILLIMETRES AND (INCHES)

NR	ITEM
1	LIFTING DEVICE
2	EXHAUST ELBOW FOR HOSE ID 45(1.75)
3	AIR FILTER (SILENCER)
4	OIL FILLING
5	OIL DIPSTICK ENGINE
6	OIL FILTER
7	OIL DRAIN (WITH PUMP) ENGINE ID 8 (0.35)
8	OIL DIPSTICK REVERSE GEAR
9	OIL FILLER CAP REVERSE GEAR
10	OIL DRAIN REVERSE GEAR
11	SEAWATER INLET FOR HOSE ID 19(0.75)
12	SEA WATER PUMP
13	WATER FILLER CAP FRESH WATER
14	HOTWATER OUTLET
15	HOTWATER INLET
16	FUEL CONNECTION FOR HOSE ID 10 (3/8)
17	FUEL RETURN CONNECTION FOR HOSE ID 10 (3/8)
18	FUEL FILTER
19	SPEED CONTROL LEVER
20	CONNECTION BOX FOR EXTENSION CABLE
21	BATTERY MINUS (-) CONNECTION
22	PLUS (+) CONNECTION FOR CHARGING DISTRIBUTOR
23	STARTER BATTERY PLUS (+) CONNECTION
24	WATER DRAIN FRESH WATER
25	WATER DRAIN SEAWATER
26	AUTOMATIC FUSE RESET
27	HAND PRIMER PUMP
28	RSER (OPTIONAL)
29	CENTRE OF GRAVITY

©VOLVO PENTA AB. ALL RIGHTS RESERVED. DRAWING NO. 3591389 AND STD 502960

The copyright, reproduction and utilization of this document as well as the transmission of its contents to others without the prior written consent of Volvo Penta AB are prohibited. For more information, contact Volvo Penta AB or its authorized dealer representative.

ENGINE DIMENSIONS
 D1-20/130S

Document type
 DIMENSION DRAWING

Document no.
 3591389

Sheet no.
 101

Scale
 1:5

DATE
 2011-03-01

RELEASED

3591389-01 - Downloaded from www.volvo-penta.com 29/03/2015 16:22:39